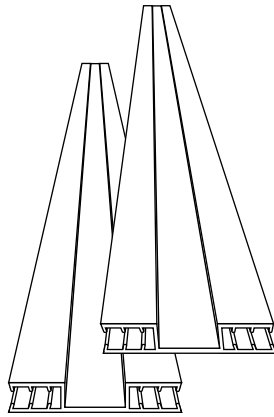


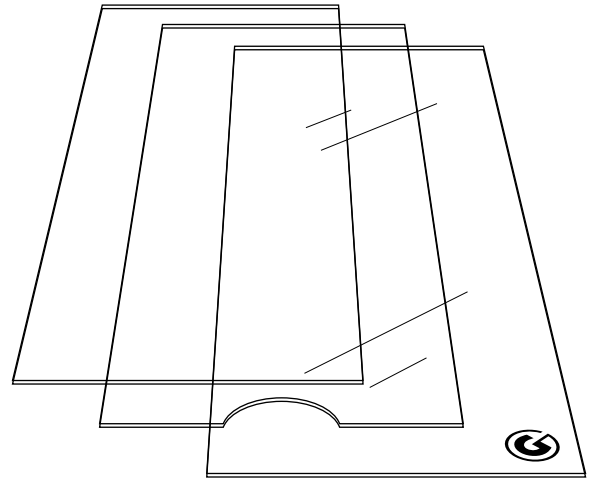


Gibraltar

Plexi-Shield Assembly Instructions



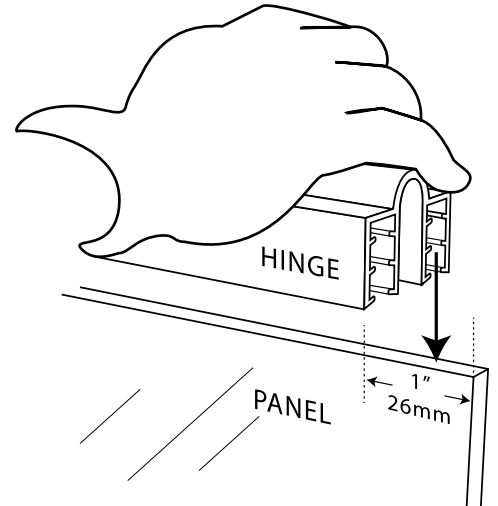
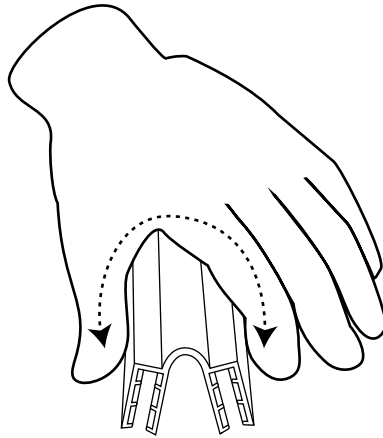
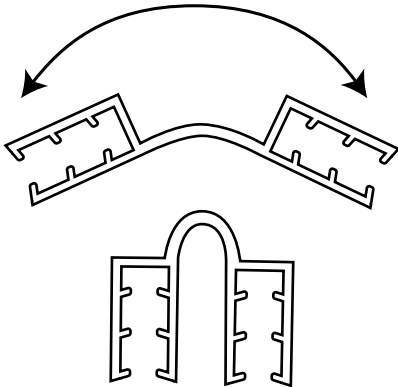
HINGES



PANELS

See opposite side for laying out panels per each model

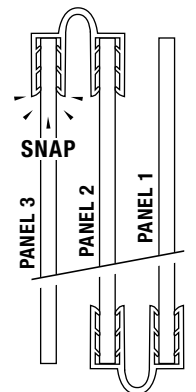
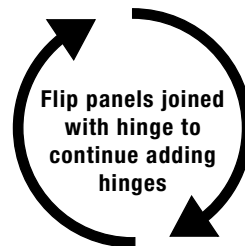
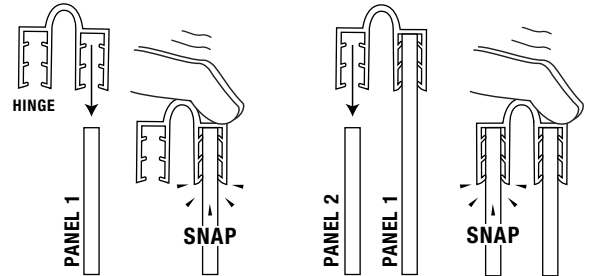
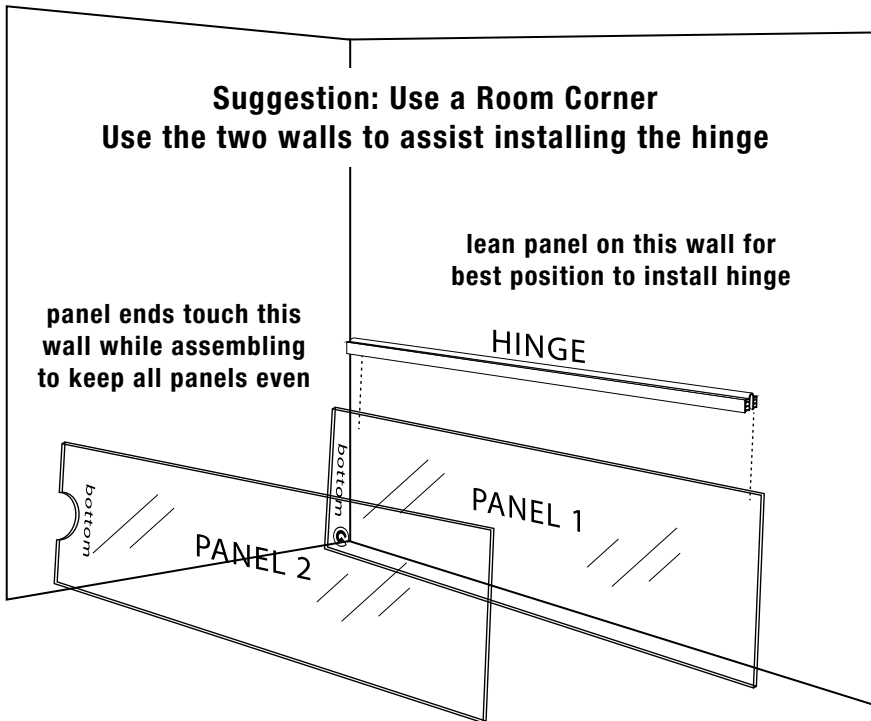
BEND HINGE



Suggestion: Use a Room Corner
Use the two walls to assist installing the hinge

lean panel on this wall for best position to install hinge

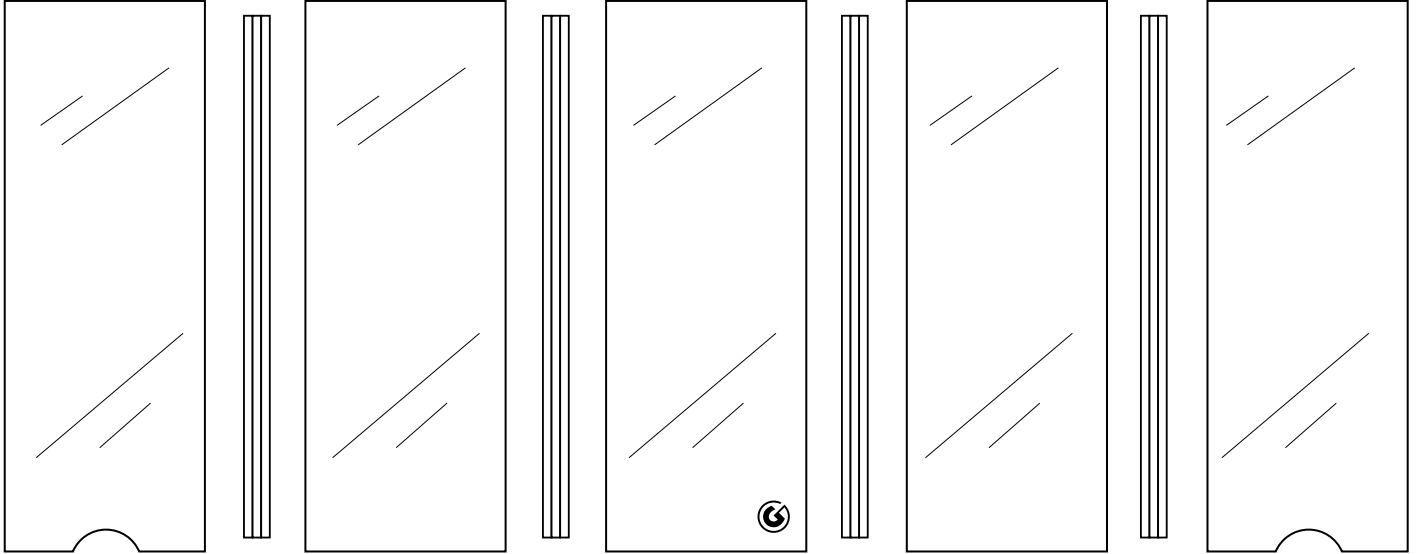
panel ends touch this wall while assembling to keep all panels even



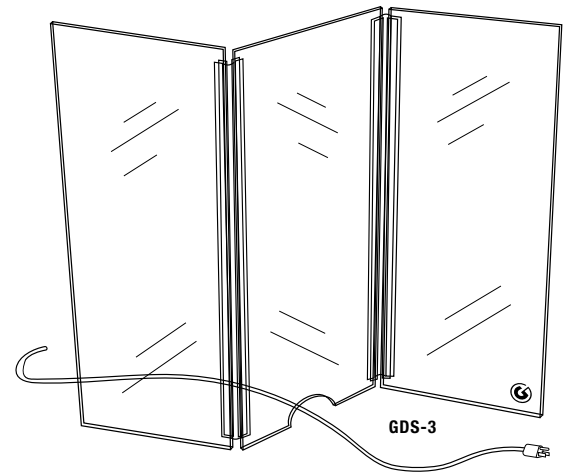
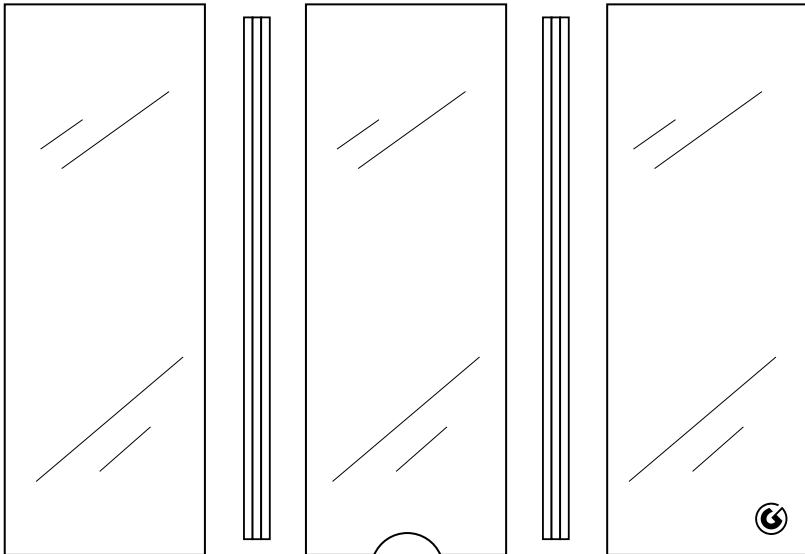
Gibraltar Plexi-Shields

panel layout guide

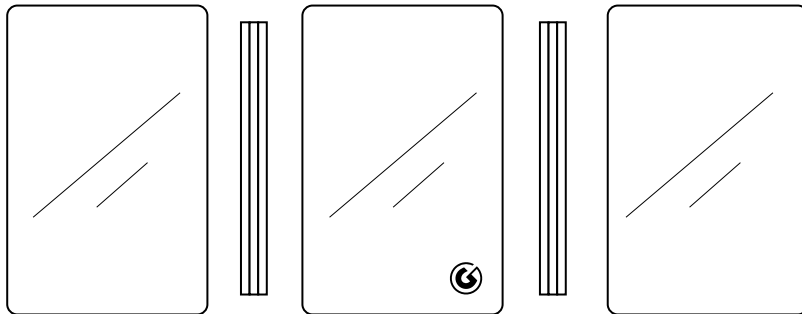
GDS-5 Plexi-Shield



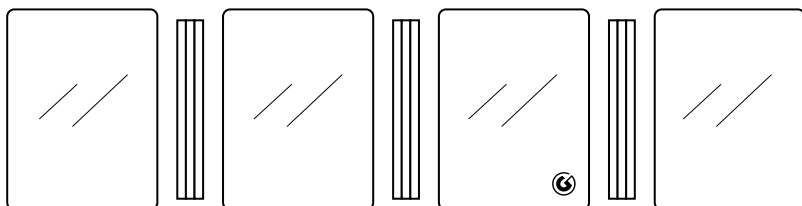
GDS-3 Plexi-Shield



GAS-3X3 Plexi-Shield



GAS-2X4 Plexi-Shield



Creating solutions for your
ultimate musical environment.



Gibraltar

Full instructional video available at:
GIBALTARHARDWARE.COM